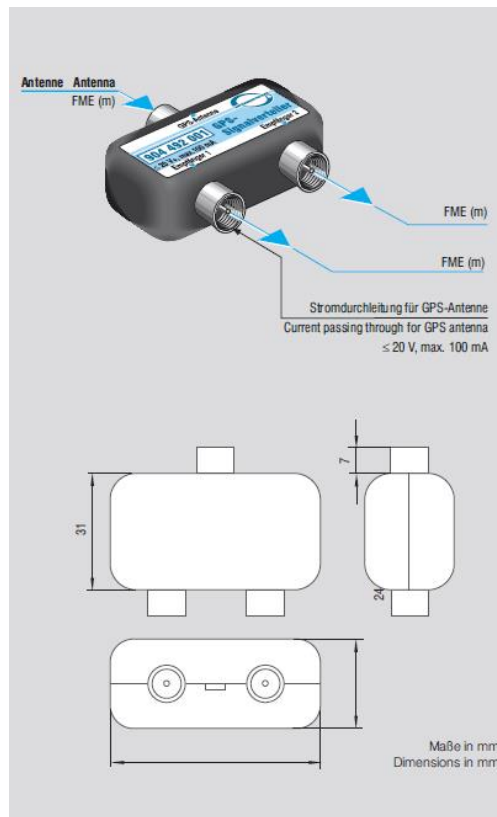


Specification

Code-Nr.: GPS-Splitter

Photos



Electrical properties

Frequency	1575.42 MHz
Impedance	50 Ohm
VSWR	< 1.5 : 1
Insertion loss	< 3.5 dB
Isolation Receiver 1/Receiver 2	> 20 dB

Mechanical properties

Connectors	FME male
Characteristics	A signal splitter with following features : -Splitting of one GPS signal to two receivers -not use inverse